

Product No: HPD075B Series

Features

- ▶ Input : AC90~264V / 0.4A
- ▶ Isolated configuration
- ▶ Constant Current Output
- ▶ Easy to drive High Power LEDs in series
- ▶ Efficiency > 84%(Typical)
- ▶ PFC > 0.95
- ▶ Output Protection: Over Current / Over Voltage / Short Circuit
- ▶ Meet all safety design (UL / CE / FCC/ PSE..)
- ▶ Application: High Power LEDs Lighting / Street Light



HPD075B Electrical characteristics

Parameter	HPD075B-F1548	HPD075B-F35175
Input Voltage	AC90~264V	
Input Frequency	47~63Hz	
Output Voltage Range	28~48V	100~175V
Output Current Range (Adjustable)	520~1500mA	350mA
Max. Output Power	72W	72W
White LEDs in Series(Min.~Max.)	9~13PCS	30~50PCS
Operating Temperature	-40°C ~60°C	
Dimension	130mm(L)*52mm(W)*30mm(H)	

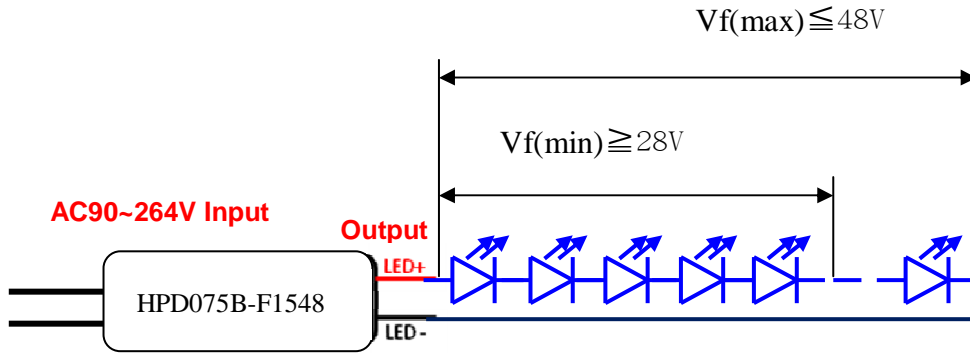
An Installed User Program :

1. Please connect LEDs with drivers before turning on the power.
2. Please connect a current meter in series with LEDs when adjusting output current of a driver.
Adjust output current in order to have an appropriate current for LEDs.
3. Caution the heat of a driver while the driver is turning on.

Configuration Arrays

Freely connect High Power LEDs in series

HPD075B-F1548 (series connect 9~13pcs LED)



HPD075B-F35175 (series connect 30~50pcs LED)

